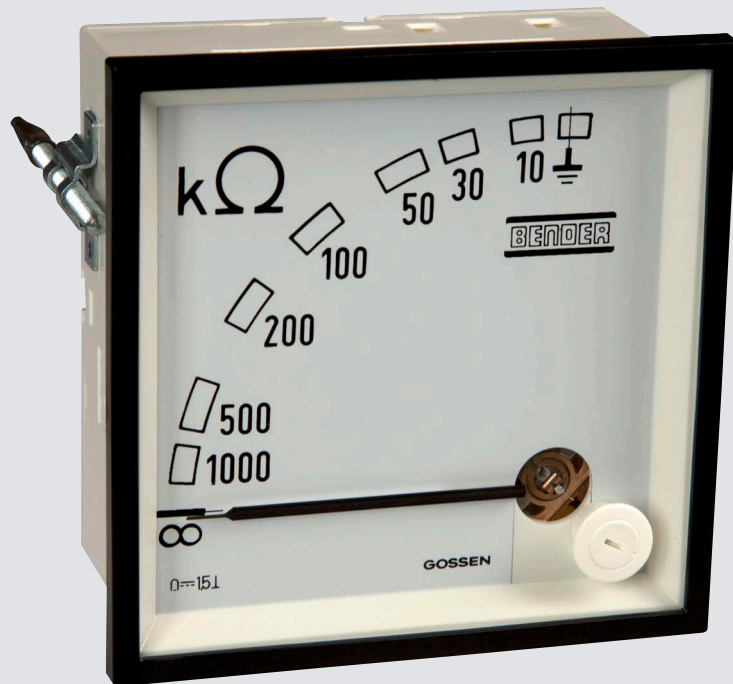


Measuring instruments 7204/7220/9604/9620



Measuring instruments 7204/7220/9604/9620



Measuring instruments 9604/7204/9620

Device features

- Dimensions: 72 x 72 mm (7204) or 96 x 96 mm (9604/9620)
- Version S for increased shock and vibration resistance
- Scale background: white, imprint: black

Product description

The analogue measuring instruments of the 9604/7204 series are designed for indication of measured values from BENDER devices equipped with the appropriate current output.

Measuring instruments for ISOMETER®

The respective internal resistance of the insulation monitoring device has to be considered. The internal resistance must be equal to the scale centre point (e.g. 120 kΩ). The instruments utilize either a division scale or a scale with a segment display.

Approvals



„Standard“ version

The enclosures are made of polycarbonate, which is self-extinguishing and of non-melting material (according to UL94V0). For space-saving arrangement, several instruments can be installed close together without spacers. Connection is made via hexagon head bolts with spring-loaded terminal bolts. The terminals of the enclosure are protected against accidental contact.

„S“ version

The measuring instruments of the „S“ series are designed to meet the requirements of harsh environmental conditions, e.g. for use on ships.

Ordering information

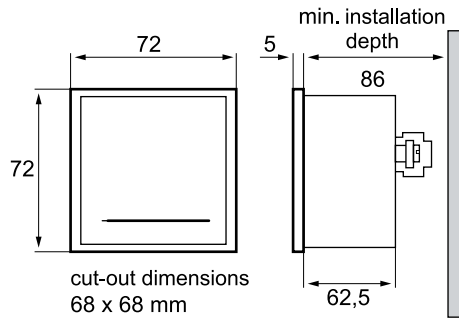
Suitable ISOMETER®/RCM	Input current	Dimensions	Type	Art. No.
IR470LY-4... IRDH275/375	0...400 µA	72 x 72 mm	7204-1421	B 986 763
			7204S-1421	B 986 804
		96 x 96 mm	9604-1421	B 986 764
			9604S-1421	B 986 784
IRDH275B/375B/575	0...20 mA	96 x 96 mm	9620-1421	B 986 841
			9620S-1421	B 986 842
IR470LY2-6...	0...400 µA	96 x 96 mm	9604-1621	B 986 782
IRDH275B/375B/575	0...20 mA	72 x 72 mm	7220-1421	B 986 844
			7220S-1421	B 986 848

Technical data

Test voltage	3 kV	Protection class acc. to DIN 40050	
Accuracy class acc. to DIN 43780	1.5	Enclosure	IP52
Normal position	vertical +5°	Terminals	IP00
Temperature range	-25...+40 °C	Terminals with contact protection	

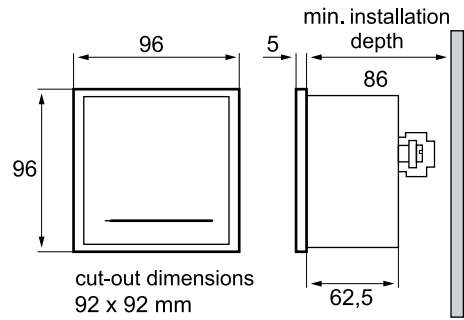
Dimension diagram measuring instruments 7204/7220

Dimensions in mm



Dimension diagram measuring instruments 9604/9620

Dimensions in mm





Bender GmbH & Co. KG

P.O. Box 1161 • 35301 Gruenberg • Germany
Londorfer Strasse 65 • 35305 Gruenberg • Germany
Tel.: +49 6401 807-0 • Fax: +49 6401 807-259
E-Mail: info@bender.de • www.bender.de



BENDER Group